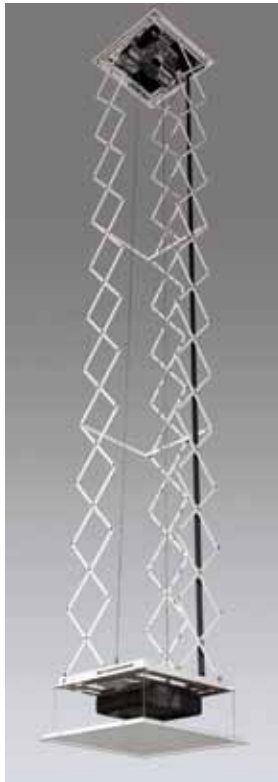


LP Morgan Auditorium Lift user manual



LP Morgan Auditorium Lift Instructions

Table of contents

Hanging Unit	3	Installing Optional Ceiling Closure	11-12
Electrical Connections	4	Installing Optional Ceiling Trim Kit	13
Operation	5 - 6	Connecting Controls	14 - 15
Installing Projector	7 - 8	Clear Show Position	16
Installing Optional Projector Mount	9 - 10	Auditorium Lift Dimensions	18 - 19



CAUTION:

- Read instructions completely before proceeding.
- Unpack & Test lift prior to installation - ensure ALL packaging material has been removed.
- Follow instructions carefully - Incorrect installation VOIDS WARRANTY.
- DO NOT obstruct operation of Scissor Lift, as serious injury or damage may result.
- Test lift prior to installation
- Maximum lifting capacity is 159kg.
- Installed Lift MUST BE 'levelled'
- Unit operates on 220V AC.



CAUTION:

Before servicing unit, disconnect hardwired control and any remote control.

Note: Unit has been thoroughly inspected and tested at factory and found to be operating correctly prior to shipment.

Information in this document is subject to change without notice.

© Herma Technologies. All rights reserved.

This document is protected against unauthorised copying electronic or otherwise.

Trademarks used in this text: Herma, the Herma Logo, Galleria, LP Morgan and

LP Morgan logo are registered trademarks of Herma Technologies.

Other trademarks and trade names used in this document remain the property of the relevant owners.

October 2011 Version 1

Hanging Unit

Note: If using Environmental Air Space Housing option, go to Environmental Air Space Housing (instructions on page 3)

The Scissor Lift may be installed in a variety of ways; recessed above the ceiling, or suspended below the ceiling. The lift should be supported by four 12.7 threaded mounting rods. If ceiling recessed, the entire unit (including the projector) should set approximately 38mm above the finished ceiling in its 'stored' position. The threaded rods should pass through the corner mounting flanges and be secured by nuts above and below. The unit should then be secured with guide wire or blocked to prevent swinging.

All installations should observe the following guidelines:

1. If installing above a hard ceiling, please ensure there is access available for future maintenance to the unit.
2. Installer must ensure that all fasteners and supports are of adequate strength to securely support Scissor Lift and projector.
3. Fastening methods must be suitable for mounting surface, and securely anchored so that vibration or abusive pulling on unit will not weaken installation
4. Unit should be level, with weight shared more or less equally by all four threaded mounting rods.
5. Bottom of unit must be unobstructed after installation. Sufficient clearance must be allowed below projector or optional ceiling closure.
6. Do not use unit to support adjacent ceiling, light fixtures, etc.
7. Do not complete the ceiling below unit until electrical connections have been completed and unit has been operated successfully.
8. Safety cables should be attached to the Scissor Lifts for added security (a sound installation practice with overhead equipment).
9. When the Scissor Lift is to be installed in 'other space used for environmental air' the optional environmental air space housing must be installed per instructions to isolate the lift from the 'other space used for environmental air.'

LP Morgan Auditorium Lift Instructions

Electrical Connections

- Unit operates on 220V AC.
- Opening the electrical box exposes terminals for field connections.
- The unit is shipped with internal wiring complete.
- Wire to connect unit to power supply should be supplied by the installer.
- Connections should be made in accordance with wiring diagram, and wiring should comply with national and local electrical codes.
- All operating switches should be 'OFF' before power is connected.

CAUTION: Make sure electrical supply has been disconnected before attempting to connect Scissor Lift to electricity.

Scissor Lift should be operated and checked prior to installing projectors and/or optional ceiling closure.

Low Voltage Control Switch shown below comes with 22.8 meters of cable and should be plugged in to Control Panel on top frame of lift for control of the 'Closed' and 'Show' positions. Momentary Key Switch shown below comes with 22.8 meters of cable and should be plugged in to Control Panel on top frame of lift for control of the 'Service' position.

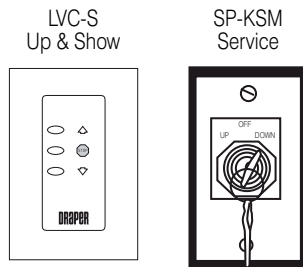


Figure 1

Operation

Before operating or testing the unit, make sure the packaging has been completely removed from the unit. This can be accomplished by removing the eight screws, (four on each side) holding the packing frame to the lift.

Once the packaging is all removed, operate the lift in the 'up' direction, so the lift's control encoder will recognize its 'home' location. Until you do this, the Down function will not work.

When unit is first operated, be cautious! If the unit fails to operate properly, press 'off' and re-check electrical connections before proceeding. Cycle the unit down and up several times to confirm satisfactory operation.

CAUTION: Do not pull on or touch safety belt when unit is in motion. If belt locks, the cables will unspool.

CAUTION: Obstructing bottom pan may cause cables to unspool.

Standard Single Station Control, (See Fig. 1) (CE Approved)—One three-button switch with 'up', 'down', and 'off' buttons. Lift starts up or down when appropriate button is pressed, and may be stopped by pressing 'off' button. Factory set limit switches stop lift automatically when projector is in 'show' position. One momentary key switch lowers lift from 'show' to 'service' position.

Optional Multiple Station Control (Not CE Approved)—Optional, moves lift from 'stored' to 'show' position only. Each switching station has a three-button switch with 'up', 'down', and 'off' buttons. Lift starts up or down when appropriate button is pressed, and may be stopped by pressing 'off' button. Factory set limit switches stop lift automatically when projector is in 'show' position.

Optional Key Operated Switch (Not CE Approved)—If ordered, the standard LVC-S can be replaced with a second single station, momentary key-operated three position (up/off/down) switch. 'Multiple Station Control' required for this option. Moves lift from 'stored' to 'show' position only.

Operation

Optional Infrared or Radio Frequency Remote Control (CE Approved) - If ordered, a three-button transmitter is provided, with 'up', 'down', and 'stop' buttons. Unit starts up or down when appropriate button is pressed, and may be stopped by pressing 'off' button. Factory set limit switches stop unit automatically when projector is in 'show' position. Only controls 'show' and 'stored' positions.

Optional RS232 Control (CE Approved) - For Serial communication an R2D7 Serial Communications Interface is optionally available.

Low Voltage Trigger (CE Approved) - Input provided for Low Voltage Trigger from projector, (see diagram on page 4).

Note: Scissor Lift must be installed in accordance with the requirements of the Local Building Codes. An appropriate disconnect device shall be provided as part of the building installation.

Installing Projector

Generally, the video projector should be suspended from the Projector Pan according to projector manufacturer's instructions and recommended standard ceiling mounting hardware. The Scissor Lift has a grounded 220V AC power cord for projector power supply. The power cord is laced down the back scissor and is "hot" at all times.

Control cables should be laced through our Cable Management System. Make sure to use flexible cables, and to allow enough cable at each turn so cables do not stretch or kink. This will ensure that cords do not become tangled and damaged during Scissor Lift operation.

Unit and projection system should be operated, checked and adjusted as necessary at this time.

Note: Immediately upon completion of the surrounding ceiling, units should be operated to confirm that optional ceiling closure panel stops just short of touching ceiling in closed position.

WARNING: Keep fingers and other objects away from automatic ceiling closure and scissor mechanisms when unit is operating. Serious injury or damage could result.

Adjusting for Level or Centre of Gravity

Preferred Method - Adjusting Projector Pan

1. The Projector Pan can be moved forward or back.
2. Make sure Bottom Pan is supported.
3. Remove the Lifting Cable Bar (see Fig. 2).
4. Remove screws holding Projector Pan on Bottom Pan (see Fig. 2).
5. Move Bottom Pan forward or back.
6. Replace screws.
7. Replace Lifting Cable Bar.

Installing Projector

Secondary Method - Adjusting Lifting Cable Bar

(If primary method does not work)

Run the unit to its 'Service' position and make sure pan is level. Try and set so that pan is not more than 19mm out of level. However, the pan does not have to be perfectly level, as long as the positioning is consistent and repeatable in 'Show' and 'Closed' positions.

1. Make sure Bottom Pan is supported.
2. Remove screws holding Lifting Cable Bar to the Bottom Pan (see Fig. 2).
3. Move Lifting Cable Bar forward or back (see Fig. 2).
4. Replace screws.
5. Check level again. If still not level, repeat.

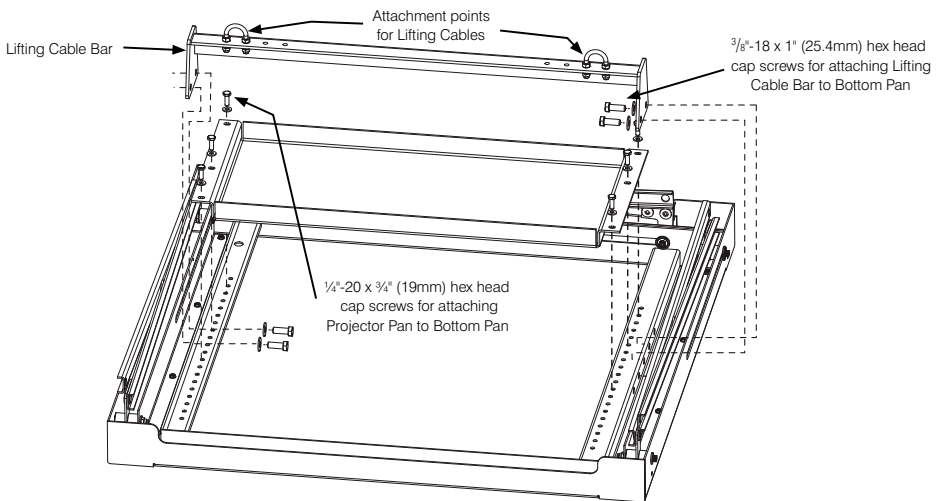


Figure 2

Installing Optional Universal Projector Mount

If you ordered the unit with optional Universal Projector Mount pre-installed, disregard these instructions.

If you did not order the mount pre-installed, you will need to install a new Projector Pan, which includes the Universal Projector Mount's rectangular plate.

1. Maximum weight capacity for the Universal Projector Mount is 11.7 kg.
2. Lower unit until the Bottom Pan is resting on a tabletop or other stable and sturdy surface.
3. Remove Lifting Cable Bar from Bottom Pan (see Fig. 2).
4. Remove bolts holding Projector Pan to Bottom Pan (see Fig. 2).
5. Remove Projector Pan and set aside.
6. Place new Projector Pan with Universal Mount into place.
7. Re-attach Projector Pan to Bottom Pan.
8. Re-attach Lifting Cable Bar to Bottom Pan.

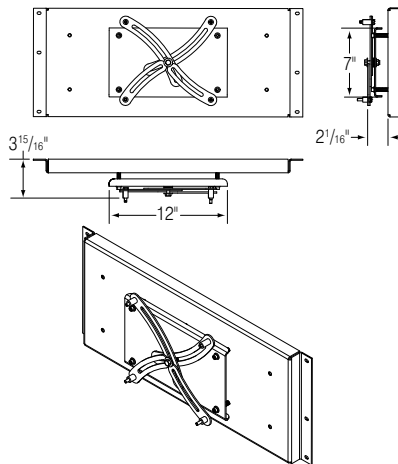


Figure 3

Installing Projector Using Universal Projector Mount

The universal projector mount includes:

- 2 x long arms
- 4 x short arms
- 4 x M3, 4 x M4, 4 x M5 and 4 x M6 mounting bolts (30mm in length)
- 4 spacers ($\frac{1}{2}$ " [13 mm], $\frac{5}{8}$ " [16 mm], $\frac{3}{4}$ " [19 mm], $\frac{7}{8}$ " [22 mm])

1. Determine which size mounting bolts suit your projector, and set others aside. They are no longer required. If your projector has only three mounting holes, set aside one of the mounting arms (see Fig. 3).
2. Attach the appropriate mounting arms to the rectangular plate via center bolt. Spread out the arms so each end is over one of the mounting holes.
3. Connect projector mounting arms.
4. Tighten the mounting bolts.
5. Use the $\frac{1}{4}$ " (6.35 mm)-20 bolts and springs which hold the rectangular plate to the bottom pan to adjust roll and tilt (the springs will ensure that the projector is held still during motion). The centre $\frac{5}{16}$ " (8 mm) bolt provides Yaw adjustment (see Fig. 4).

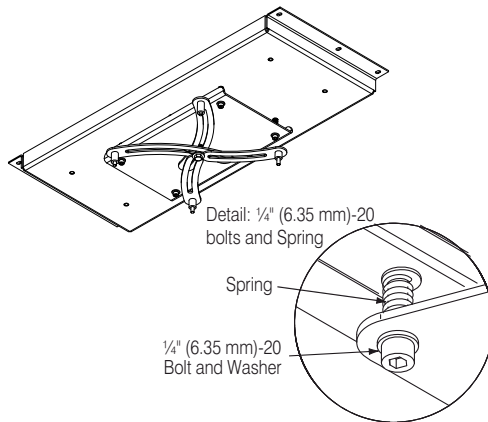


Figure 4

Installing Optional Ceiling Closure

If your Scissor Lift SLX is equipped with optional ceiling closure, it can be used as is, or in conjunction with a square of existing ceiling tile (see Fig. 5).

1. If installing with ceiling tile, you may need to cut tile so that its overall dimensions are the same as (or slightly less than) the closure panel. Place tile into trim frame. Lay closure panel on top (back side) of ceiling tile, and tighten screws to hold in place.
2. Attach provided angle brackets to side of Bottom Panel of Scissor Lift.
3. Attach 5/16" (8mm) threaded rods to angle bracket.
4. Run unit 'up' until bottom pan stops at highest position. Mark position on 5/16" rods even with ceiling level and cut to length (remove from pan if convenient).
5. Run unit 'down' until bottom pan stops at 'show' position.
6. Attach closure to lower end of 5/16" (8mm) rods by slipping into four corner slots and secure with nuts above and below slots.

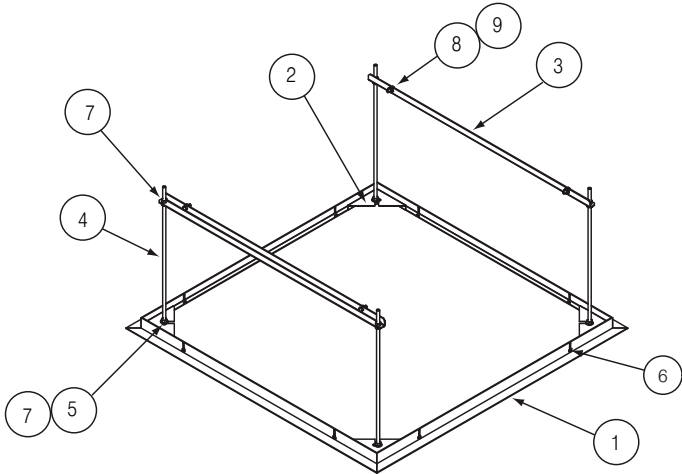
CAUTION: Make sure nuts are completely tightened.

7. Run unit 'up' again to highest position. Measure distance by which panel fails to reach required "closed" height for surrounding ceiling.
8. Run unit 'down' then re-adjust mounting of 5/16" (8mm) rods in traveling grid to raise panel required distance.
9. Test unit operation to confirm that panel will stop in closed position just before touching ceiling.

CAUTION: DO NOT hang from, 'ride' or pull down on the unit. This could create a failure and cause damage and/or injury.

Note: Immediately upon completion of the surrounding ceiling, unit should be operated to confirm that optional ceiling closure panel stops 1/8" (3mm) short of touching ceiling in closed position. If closure panel touches, the motor may continue operating after the lift is closed. If it continues to cycle once the lift is closed, a motor failure may occur.

Installing Optional Ceiling Closure



Item	Qty	Part Number	Description
①	1	C028.546	Frame, Auditorium Lift Closure Trim
②	1	C044.181.07SA	Panel, Auditorium Lift Assembled Closure
③	2	C002.845.07SA	Bracket, Auditorium Lift Closure
④	4	C077.035.49	Rod $\frac{3}{8}$ "-16 x 17 $\frac{7}{8}$ " L Threaded , Zinc
⑤	8	C013.050	Washer .375 I.D. x .875" O.D. x .064" TK GRD 2 Zinc Flat
⑥	8	C020.082	Screw, 10-16 X $\frac{1}{2}$ " 6 Lobe Truss Head AB E-White
⑦	16	C018.027	Nut, $\frac{3}{8}$ "-16 Hex GRD 2 NSF
⑧	4	C020.322	Screw, $\frac{5}{16}$ "-18 x $\frac{3}{4}$ " Long Grade 5 HH Zinc
⑨	4	C018.045	Nut, $\frac{5}{16}$ "-18 Zinc Hex KEPS

Figure 5

Installing Optional Ceiling Trim Kit

The Scissor Lift is available with a ceiling trim kit, which consists of the lower section of the Environmental Air Space Housing and the optional closure panel (see Fig. 6).

1. Install Scissor Lift as previously described in these instructions.
2. Install bottom section of Environmental Air Space housing and Trim Ring in opening. This can be accomplished by suspending with wire, or by mounting directly to the ceiling joists (if space permits).
3. Install projector and attach optional ceiling closure to Scissor Lift, according to the instructions included in this document.

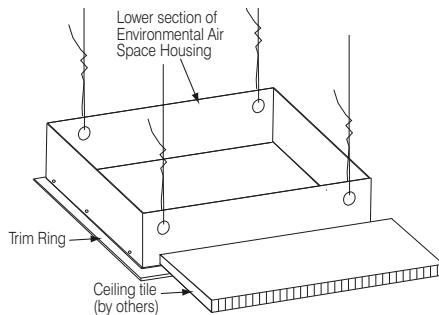


Figure 6

Connecting Controls

Controls plug into the data cable inputs on the Control Panel which is located on the Top Frame on the front side of the lift using RJ14 connectors. For IR or RF Remote Control, use data cable with RJ14 connectors on both ends.

For serial control of 'Show' position, use data cable with RJ14 connectors on both ends and an R2D7 Serial Control Interface. Plug into the 'RP/RQ' input.

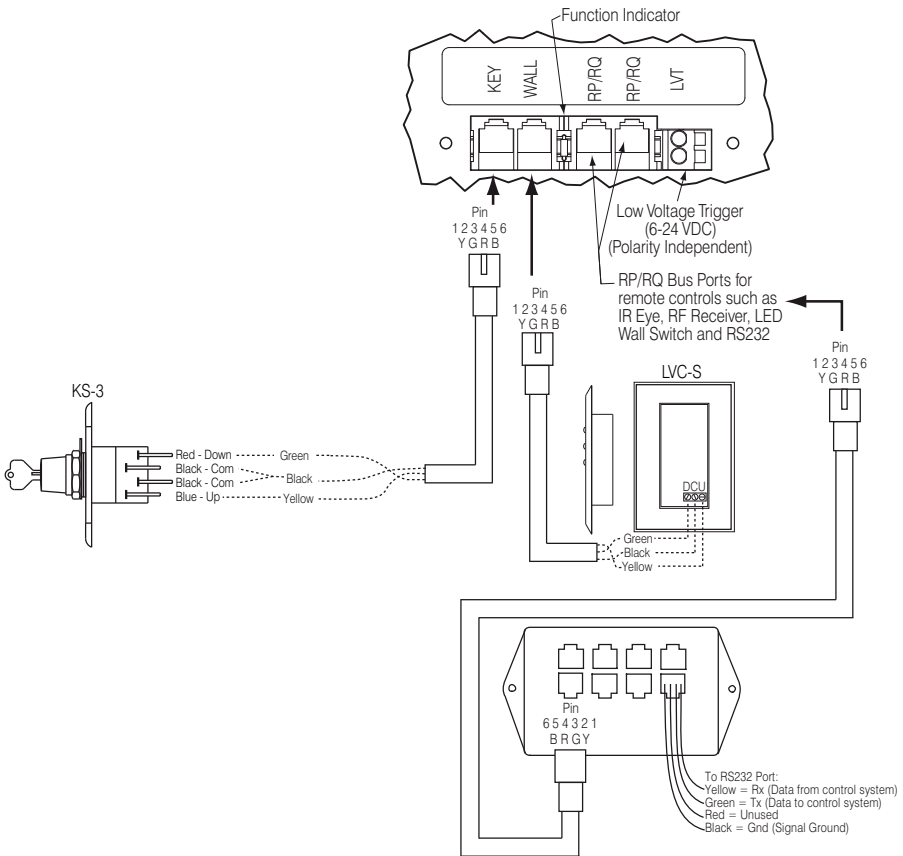


Figure 6

LP Morgan Auditorium Lift Instructions

Note: Data cable connections must be made using electrically straight 4-conductor modular cable (RJ14). If making your own cables, this means colours do not cross over: blue leads to blue, green to green, etc. (see diagram below).

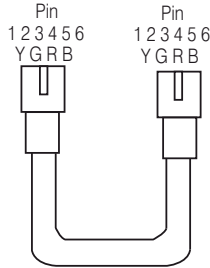


Figure 7

Adjustments

CAUTION: Be sure all switches are in 'off' position before adjusting limit switch. Always be prepared to shut lift off manually when new adjustments are being tested. Please refer to wiring diagram.

Limit switches for the Scissor Lift are preset at the factory. The 'Up' limit switch is set for fully closed. The 'Down' limit switch is set for the fully down (maintenance) position for the size lift you have ordered.

The limit switch assembly is located inside the lift and behind the Lifting Cable Drum.

Set Show Position (can only be set if it is cleared, i.e. it cannot be re-set)

1. Use Main UP/DN to get lift to desired Show Position.
2. Press and hold Key in the 'down' position.
3. Continue holding until lift starts moving up (approx. 5 sec, Key can be released anytime after movement starts). The lift will move up for 2 seconds, then stop for 1 second, then go down for 1 second and stop. This action is used to measure the amount of coast that happens near the Show Position.
4. The coast is now calculated and the Show Position set. The lift now goes down to the Show Position, which should be where the process started.

LP Morgan Auditorium Lift Instructions

Clear Show Position (Method 1)

1. Put the lift at the show position using the Main Down button.
2. Press and hold Key in the Up position.
3. Continue holding until lift starts moving up (approx. 5 sec, Key can be released anytime after movement starts).

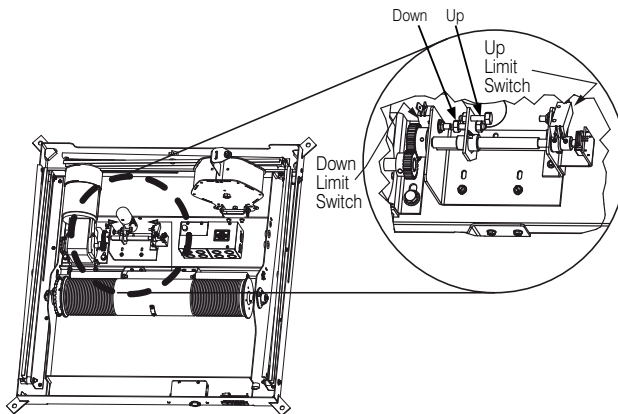
The lift will move up for 0.75 seconds then stop. This indicates the Show Position is cleared.

Note: Once the Show Position is cleared, the Key Switch no longer works!
(See the operation above where Show Position is not yet set.)

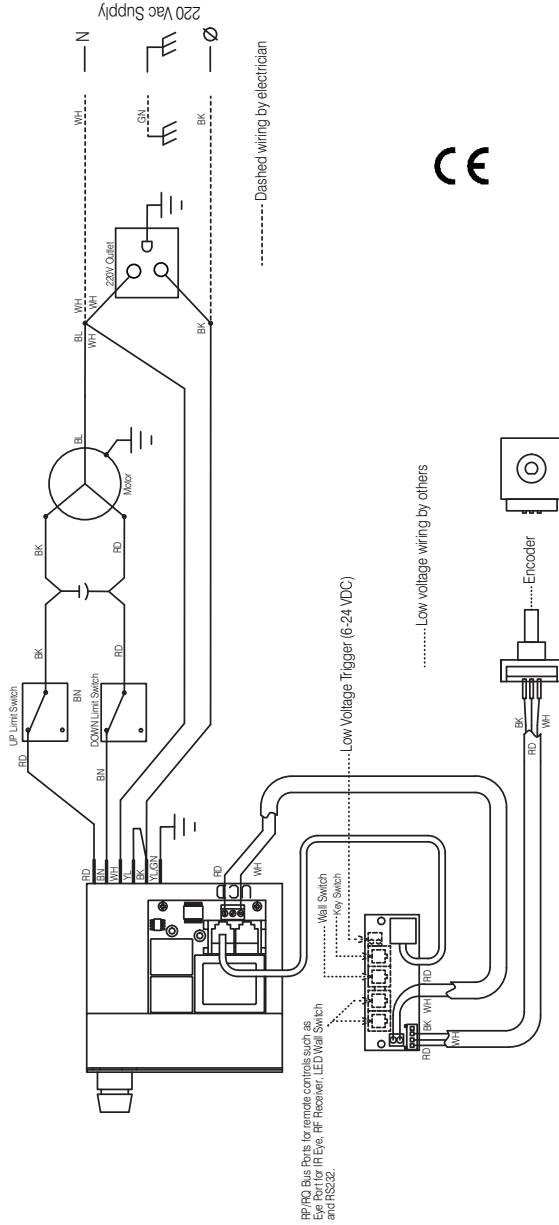
Clear Show Position (Method 2)

1. Press and hold Key in Down position to get lift to bottom limit.
2. Release the Key.
3. Again, press and hold Key in the Down position.
4. Continue holding until lift starts moving up (approx. 5 sec, Key can be released anytime after movement starts). The lift will move up for 0.7 seconds then stop. This indicates the Show Position is cleared.

Note: Once the Show Position is cleared, the Key Switch no longer works!

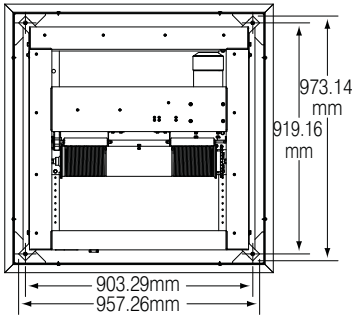


LP Morgan Auditorium Lift Instructions

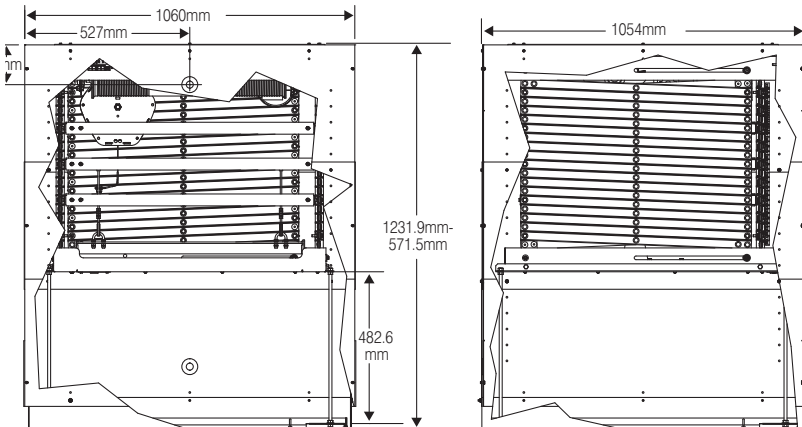
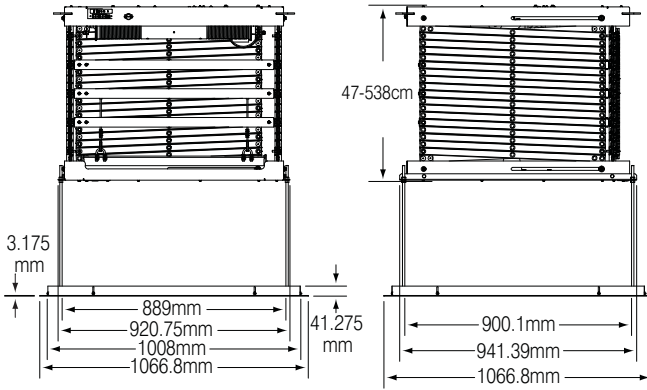


LP Morgan Auditorium Lift Instructions

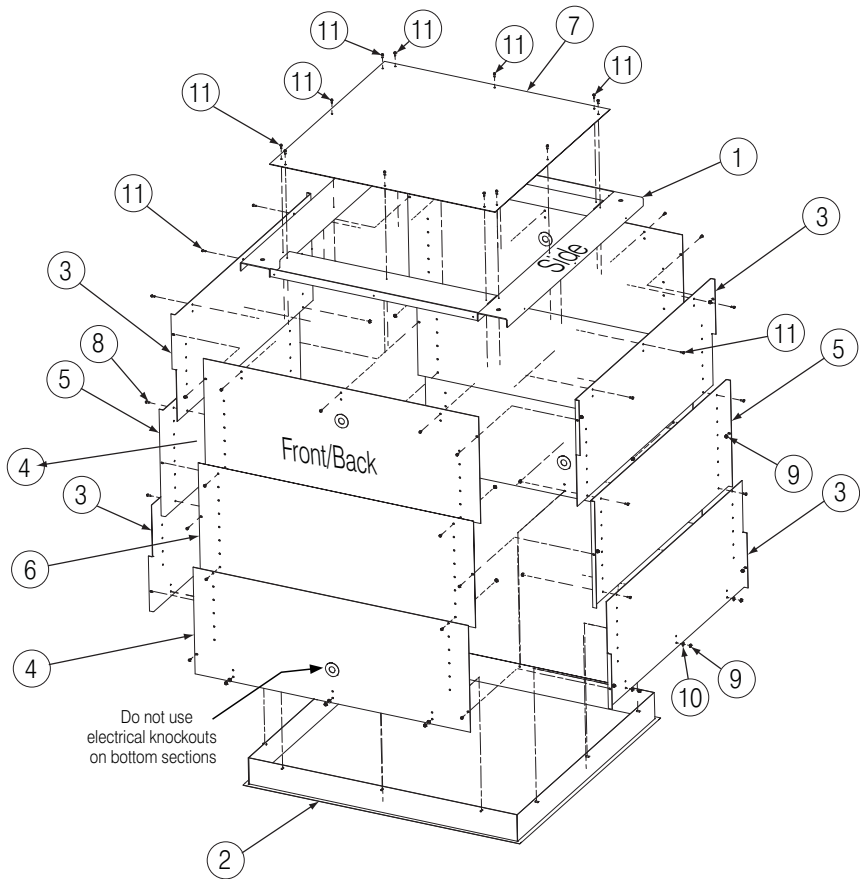
Auditorium Lift Dimensions



	Closed Height	Extended Height
Auditorium Lift	47cm	538cm



LP Morgan Auditorium Lift Instructions



Item	Qty	Part Number	Description
①	1	C028.544.02SA	Frame, Auditorium Lift Plenum
②	1	C028.545.07SA	Frame, Auditorium Lift Trim Ring
③	4	C044.178SA	Panel, Auditorium Lift Plenum Side
④	4	C044.180SA	Panel, Auditorium Lift Plenum End
⑤	2	C044.179SA	Panel, Auditorium Lift Middle End
⑥	2	C044.177SA	Panel, Auditorium Lift Plenum Middle Side
⑦	1	C095.123SA	Cover, Auditorium Lift Plenum
⑧	28	C020.325	Screw, 8-32 x 3/8" Type 1 HWH
⑨	40	C018.051	Nut #8-32 Zinc Hex KEPS
⑩	12	C013.070	Washer, .188 I.D. x .5 O.D. x .07" TK Nylon Flat
⑪	24	C020.112	Screw, 8-32 x 3/8" Type F HWH

CAUTION: Be careful when handling Environmental Air Space Housing Panels. The panels could have sharp edges.

**For more information on our range of products,
please visit www.lpmorgan.com.au, or contact
your local LP Morgan Retailer.**

Factory 4a, 6 Albert Street Preston Vic 3072

Phone: +61 3 9480 6233 **Fax:** +61 3 9480 6533

Email: info@herma.com.au **www.lpmorgan.com.au**

October 2011 Version 1

